

Wavecon Subsea Electrical Connectors are an off the shelf range of robust, hardshell connectors designed for the most demanding environments. The design includes a dual sealing arrangement to the mating faces.

Available as standard in AISI 316 Stainless Steel with Nickel Aluminium Bronze C63000 locking collar.

#### Features:

- Fully interchangeable and mateable with SAAB Seaeeye Range of connectors.
- 6,000 metre standard depth rating.
- Multiple Configurations.
- Available in stainless steel AISI 316 with C63000 locking collar.
- Working voltage and current dependent on contact density and diameter.

#### Applications:

- Subsea ROVs, Trenchers and Ploughs
- Renewables
- Drill Templates
- Bespoke applications

#### Specification:

|                      |  |
|----------------------|--|
| Metal Shell Housing: | AISI 316 Stainless Steel               |
| Locking Collar:      | C63000                                 |
| O Rings:             | Nitrile 70 / 90                        |
| Insert:              | PEEK                                   |
| Contacts:            | 1µm Gold over Nickel                   |
| Depth Rated:         | 6000m                                  |
| Temperature:         | Op: -20°C - +70°C<br>St: -40°C - +55°C |
| Mating Cycles:       | >1000                                  |

## Part Numbering

### Plug / Receptacle Moulded

| DR   | M                             | Size              | Type   | No.             | Contact Gender          | Cable Length       |
|--|-------------------------------|-------------------|--|-----------------|-------------------------|--------------------|
| DR   | M                             | 3                 | IL   | 7               | F                       | 2000               |
| Prefix, only used for Deep Rated (DR) Cables | Metal Shell – Stainless Steel | Shell Size 2 or 3 | X: Extension with Plug and Receptacle<br>IL: Receptacle Whip<br>D: Harness with Plug fitted on both ends<br>W: Plug Whip | No. of Contacts | Pins (M) or Sockets (F) | Cable length in mm |

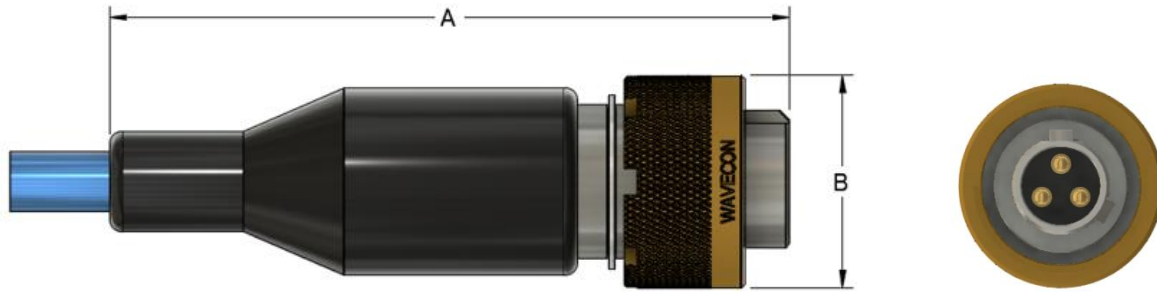
### Bulkhead

| DR   | M                             | Size              | Type  | No.             | Contact Gender          | Power   |
|--|-------------------------------|-------------------|---|-----------------|-------------------------|---|
| DR   | M                             | 3                 | ABH   | 7               | F                       | HP  |
| Prefix, only used for Deep Rated (DR) Cables | Metal Shell – Stainless Steel | Shell Size 2 or 3 | ABH: Bulkhead 7/16"-20 UNF Size 2 only<br>BH: Bulkhead 5/8"-18 UNF Size 2 and 3 | No. of Contacts | Pins (M) or Sockets (F) | Prefix, only used for High Power Bulkheads (18 AWG) |

### Blanks

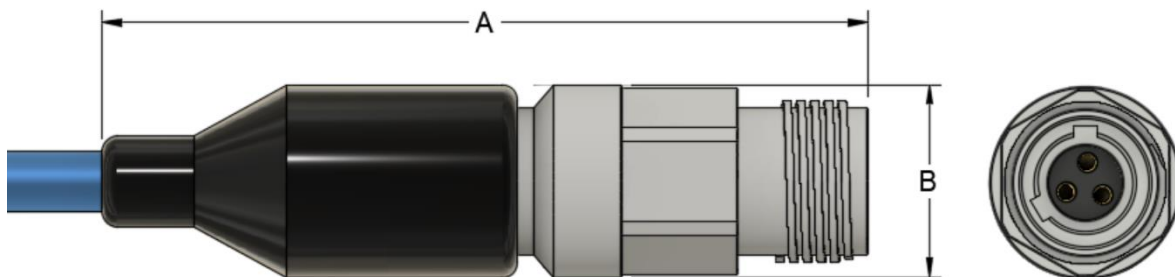
| M                             | Size              | Type   |
|-------------------------------|-------------------|--|
| M                             | 3                 | CPL  |
| Metal Shell – Stainless Steel | Shell Size 2 or 3 | CPL: Blanking Cap for Plug<br>CBH: Blanking Cap for Receptacle |

**Plug – Molded**



|                    |           |
|--------------------|-----------|
| <b>A</b>           | <b>B</b>  |
| <b>Approx. 100</b> | <b>32</b> |

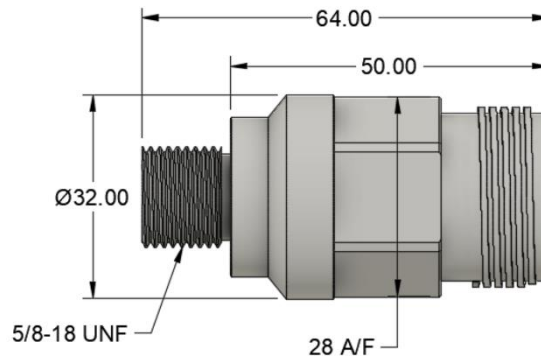
**Receptacle – Molded**



|                    |           |
|--------------------|-----------|
| <b>A</b>           | <b>B</b>  |
| <b>Approx. 100</b> | <b>32</b> |

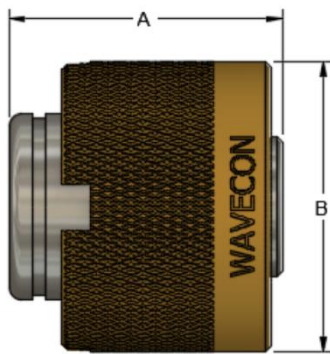
**Bulkheads**

**M3BH**



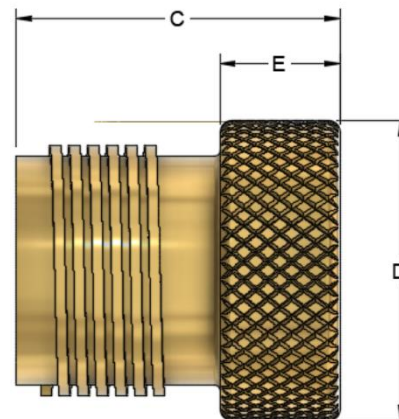
**Blanks**

**M3CBH**



|           |           |
|-----------|-----------|
| <b>A</b>  | <b>B</b>  |
| <b>22</b> | <b>32</b> |

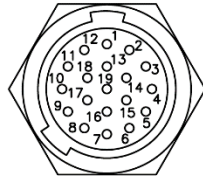
**M3CPL**



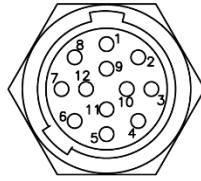
|           |           |           |
|-----------|-----------|-----------|
| <b>C</b>  | <b>D</b>  | <b>E</b>  |
| <b>33</b> | <b>32</b> | <b>10</b> |

## M3 Pin Configurations

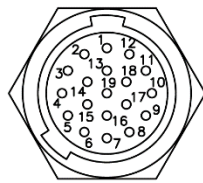
### M3 Shell Bulkhead / Moulded Receptacle Connectors



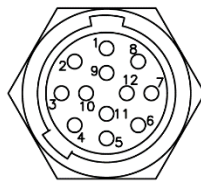
**M3BH19M**  
MALE 19 PIN  
BULKHEAD



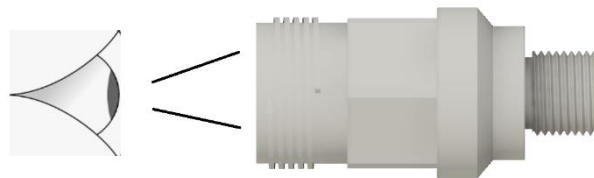
**M3BH12M**  
MALE 12 PIN  
BULKHEAD



**M3BH19F**  
FEMALE 19 PIN  
BULKHEAD

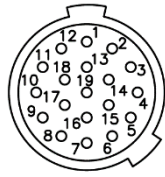


**M3BH12F**  
FEMALE 12 PIN  
BULKHEAD



View Looking into connector front face

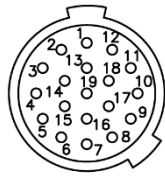
**M3 Shell Cable Mounted Connectors PLUG**



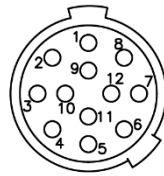
**M3PL19M**  
MALE 19 PIN  
CABLE MOUNTING  
PLUG



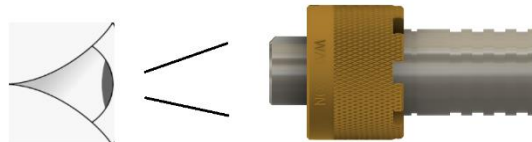
**M3PL12M**  
MALE 12 PIN  
CABLE MOUNTING  
PLUG



**M3PL19F**  
FEMALE 19 PIN  
CABLE MOUNTING  
PLUG



**M3PL12F**  
FEMALE 12 PIN  
CABLE MOUNTING  
PLUG



View Looking into connector front face

**Wiring Details**

|                     |
|---------------------|
| Cable               |
| 0.93mm <sup>2</sup> |
| Specification       |
| Rated 1000V RMS     |
| Details             |
| M3 12 Pin           |
| M3 19 Pin           |

**Bulkhead Colour Coding**

| Pin Count | Cable Colour |
|-----------|--------------|
| 1         | Brown        |
| 2         | Red          |
| 3         | Orange       |
| 4         | Yellow       |
| 5         | Green        |
| 6         | Blue         |
| 7         | Violet       |
| 8         | Grey         |
| 9         | White        |
| 10        | Black        |
| 11        | Brown        |
| 12        | Red          |