

Wavecon Subsea Electrical Connectors are an off the shelf range of robust, hardshell connectors designed for the most demanding environments. The design includes a dual sealing arrangement to the mating faces.

Available as standard in AISI 316 Stainless Steel with Nickel Aluminium Bronze C63000 locking collar.

Features:

- Fully interchangeable and mateable with SAAB Seaeeye Range of connectors.
- 6,000 metre standard depth rating.
- Multiple Configurations.
- Available in stainless steel AISI 316 with C63000 locking collar.
- Working voltage and current dependent on contact density and diameter.

Applications:

- Subsea ROVs, Trenchers and Ploughs
- Renewables
- Drill Templates
- Bespoke applications

Specification:

Metal Shell Housing:	AISI 316 Stainless Steel
Locking Collar:	C63000
O Rings:	Nitrile 70 / 90
Insert:	PEEK
Contacts:	1µm Gold over Nickel
Depth Rated:	6000m
Temperature:	Op: -20°C - +70°C St: -40°C - +55°C
Mating Cycles:	>1000

Part Numbering

Plug / Receptacle Moulded

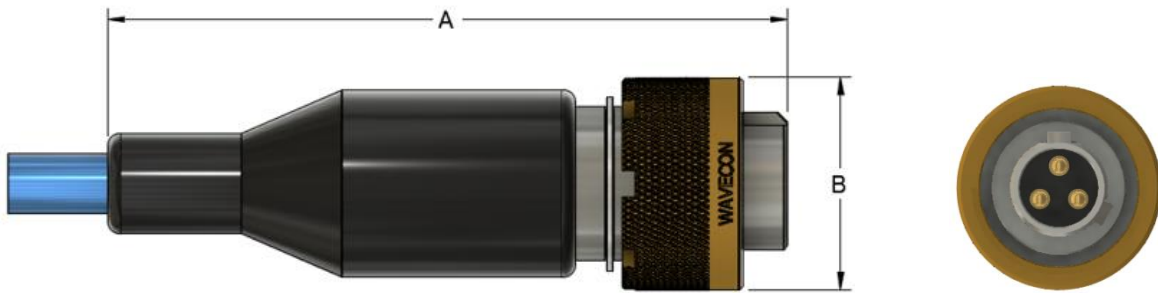
DR	M	Size	Type	No.	Contact Gender	Cable Length
DR	M	2	IL	7	F	2000
Prefix, only used for Deep Rated (DR) Cables	Metal Shell – Stainless Steel	Shell Size 2 or 3	X: Extension with Plug and Receptacle IL: Receptacle Whip D: Harness with Plug fitted on both ends W: Plug Whip	No. of Contacts	Pins (M) or Sockets (F)	Cable length in mm

Bulkhead

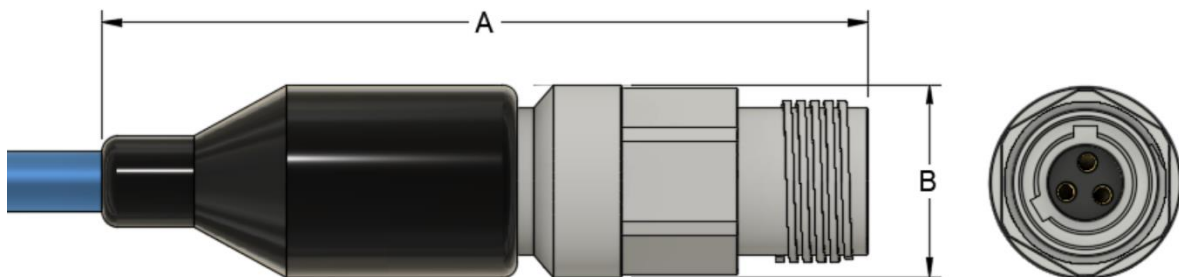
DR	M	Size	Type	No.	Contact Gender	Power
DR	M	2	ABH	7	F	HP
Prefix, only used for Deep Rated (DR) Cables	Metal Shell – Stainless Steel	Shell Size 2 or 3	ABH: Bulkhead 7/16"-20 UNF Size 2 only BH: Bulkhead 5/8"-18 UNF Size 2 and 3	No. of Contacts	Pins (M) or Sockets (F)	Prefix, only used for High Power Bulkheads (18 AWG)

Blanks

M	Size	Type
M	2	CPL
Metal Shell – Stainless Steel	Shell Size 2 or 3	CPL: Blanking Cap for Plug CBH: Blanking Cap for Receptacle

Plug – Molded

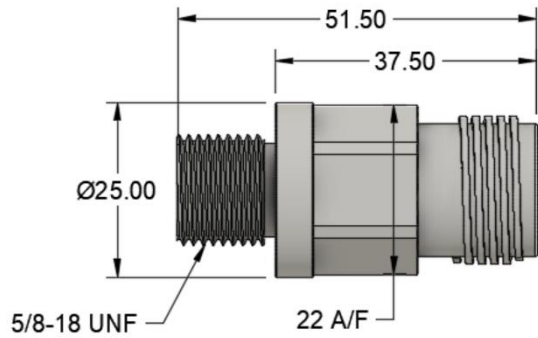
A	B
Approx. 85	25

Receptacle – Molded

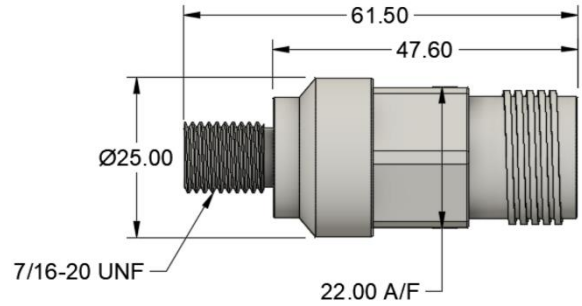
A	B
Approx. 85	25

Bulkheads

M2BH

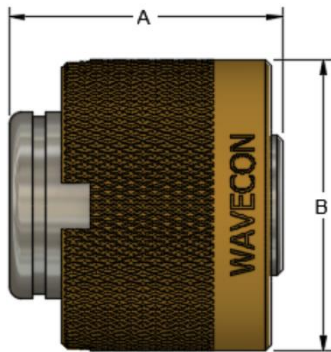


M2ABH



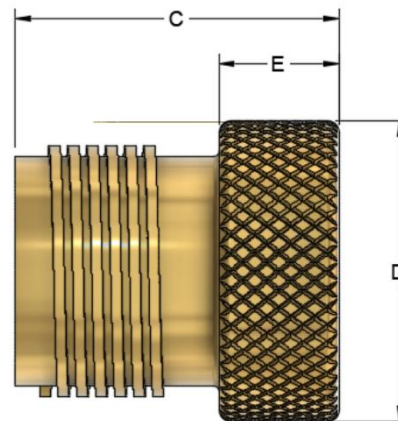
Blanks

M2CBH



A	B
23	25

M2CPL



C	D	E
30	28	10

M2 Pin Configurations

M2 Shell Bulkhead / Moulded Receptacle Connectors



M2BH13M
MALE 13 PIN
BULKHEAD



M2BH9M
MALE 9 PIN
BULKHEAD



M2BH7M
MALE 7 PIN
BULKHEAD



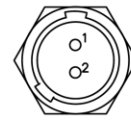
M2BH5M
MALE 5 PIN
BULKHEAD



M2BH4M
MALE 4 PIN
BULKHEAD



M2BH3M
MALE 3 PIN
BULKHEAD



M2BH2M
MALE 2 PIN
BULKHEAD



M2BH13F
FEMALE 13 PIN
BULKHEAD



M2BH9F
FEMALE 9 PIN
BULKHEAD



M2BH7F
FEMALE 7 PIN
BULKHEAD



M2BH5F
FEMALE 5 PIN
BULKHEAD



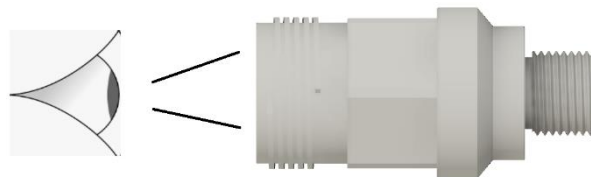
M2BH4F
FEMALE 4 PIN
BULKHEAD



M2BH3F
FEMALE 3 PIN
BULKHEAD



M2BH2F
FEMALE 2 PIN
BULKHEAD



View Looking into connector front face

M2 Shell Cable Mounted Connectors PLUG



M2PL13M
MALE 13 PIN
CABLE MOUNTING
PLUG



M2PL9M
MALE 9 PIN
CABLE MOUNTING
PLUG



M2PL7M
MALE 7 PIN
CABLE MOUNTING
PLUG



M2PL5M
MALE 5 PIN
CABLE MOUNTING
PLUG



M2PL4M
MALE 4 PIN
CABLE MOUNTING
PLUG



M2PL3M
MALE 3 PIN
CABLE MOUNTING
PLUG



M2PL2M
MALE 2 PIN
CABLE MOUNTING
PLUG



M2PL13F
FEMALE 13 PIN
CABLE MOUNTING
PLUG



M2PL9F
FEMALE 9 PIN
CABLE MOUNTING
PLUG



M2PL7F
FEMALE 7 PIN
CABLE MOUNTING
PLUG



M2PL5F
FEMALE 5 PIN
CABLE MOUNTING
PLUG



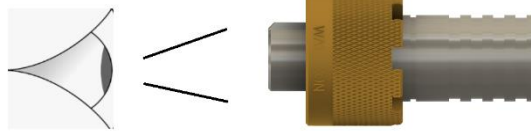
M2PL4F
FEMALE 4 PIN
CABLE MOUNTING
PLUG



M2PL3F
FEMALE 3 PIN
CABLE MOUNTING
PLUG



M2PL2F
FEMALE 2 PIN
CABLE MOUNTING
PLUG



View Looking into connector front face

Wiring Details

Cable	
0.38mm ²	0.93mm ²
Specification	
Rated 600V RMS	Rated 1000V RMS
Details	
M2 2 Pin	M2HP 2 Pin
M2 3 Pin	M2HP 3 Pin
M2 4 Pin	M2HP 4 Pin
M2 5 Pin	M2HP 5 Pin
M2 6 Pin	
M2 7 Pin	
M2 9 Pin	

Bulkhead Colour Coding

Pin Count	Cable Colour
1	Brown
2	Red
3	Orange
4	Yellow
5	Green
6	Blue
7	Violet
8	Grey
9	White
10	Black
11	Brown
12	Red