

Wavecon Hybrid Fibre Optic Connectors are an off the shelf range of robust, hardshell connectors designed for the most demanding environments. The design includes dual sealing arrangements both on the optical insert and the mating faces. Available in flange (FCR), bulkhead (BCR) and attachable (CCP).

Available as standard in AISI 316 Stainless Steel with Nickel Aluminium Bronze C63000 locking collar.

Features:

- 6,000 metre standard depth rating
- Multiple configurations
- Available in single mode and multi-mode
- Low attenuation
- Available in stainless steel AISI 316 with C63000 locking collar.

Configurations:

2 Channel Optical and 2 Power #16
 2 Channel Optical and 2 Signal #20
 2 Channel Optical, 2 Power #16 and 2 Signal #20
 4 Channel Optical and 2 Power #16

Applications:

- Subsea ROVs, Trenchers and Ploughs
- Renewables
- Drill Templates
- Bespoke applications

Specification:

Metal Shell Housing:	316 Stainless Steel
Locking Collar:	C63000
Fibre Insert:	Expanded Beam
O Rings:	Nitrile 70
Depth Rated:	6000m
Temperature:	Op: -20°C - +70°C St: -40°C - +55°C
Mating Cycles:	>1000
Pigtails:	ST/LC/SC/FC on FCR / BCR
Wavelength:	SM: 1310 – 1550nm MM: 850 – 1300nm
Att.	1.0 – 1.5dB
Fibre Types:	SM: 9/125µm MM: 50/125µm

Contact Rating:

16 AWG:	600VAC / 800VDC 13A
20 AWG:	250VAC / 350VDC 5A
All contacts loaded:	36A

Part Numbering**Plug / Receptacle Moulded**

PL	B	2OP2#16	SM	1000	ST		01
PL – Plug RC -Receptacle	Shell Size	No. of Channels 2OP2#16 2OP2#20 2OP2#162#20 4OP2#16	SM – Single Mode MM – Multi Mode	Fibre length (1000 = 1000mm)	Fibre Connection Type (ST/LC/SC/FC)	OF = Oil Filled Blank if not oil filled	Type

Bulkhead

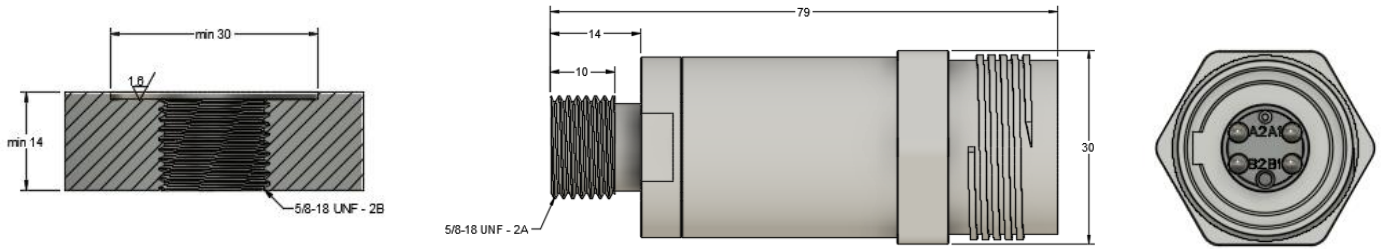
BR	B	2OP2#16	SM	1000	ST	01
BR – Bulkhead Receptacle (Thread) FR – Flanged Receptacle	Shell Size	No. of Channels 2OP2#16 2OP2#20 2OP2#162#20 4OP2#16	SM – Single Mode MM – Multi Mode	Fibre length (1000 = 1000mm)	Fibre Connection Type (ST/LC/SC/FC)	Type

Blanks

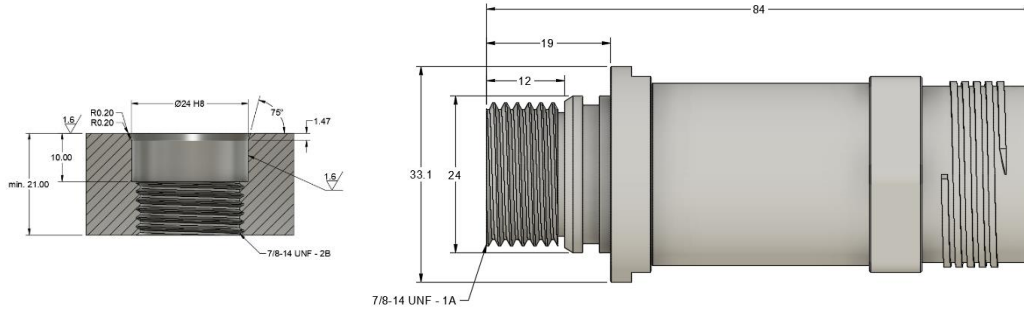
BR	B
BR – Blank for Plug PL – Blank for Receptacle	Shell Size A or B

Bulkhead

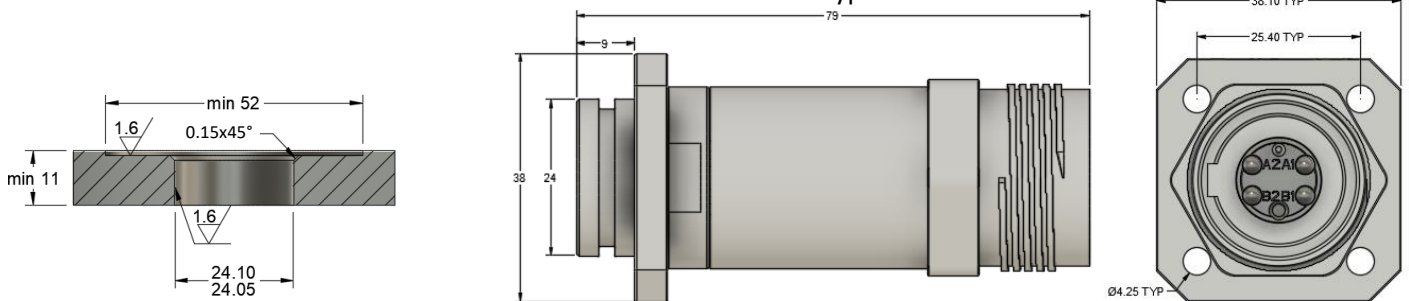
5/8-18 UNF BCR – Type 01



7/8-14 UNF BCR – Type 06

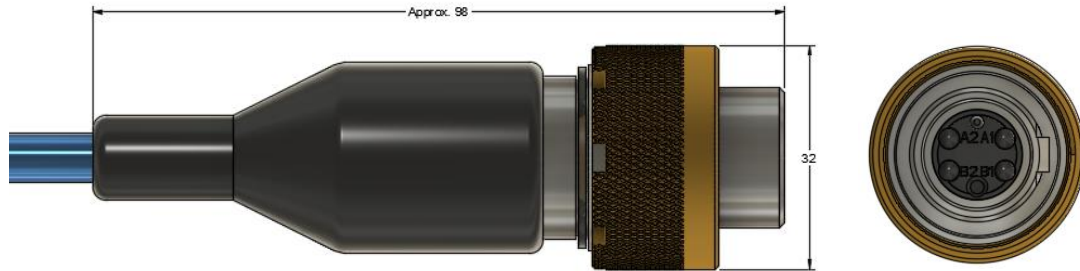


FCR – Type 04



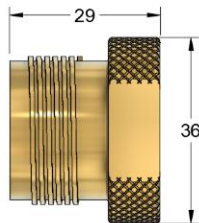
Plug

PL – Type 01

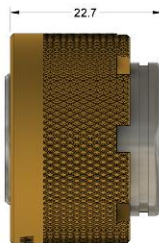


Blanks

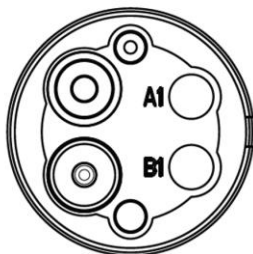
Cable Connector
Blanking Plug



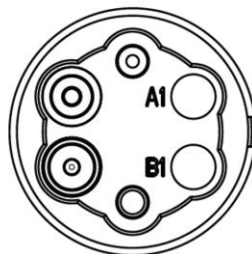
Bulkhead
Blanking Plug



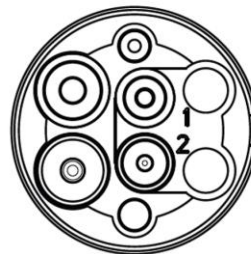
Configurations



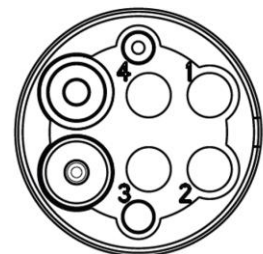
2CH Optical
2 Power (#16)



2CH Optical
2 Signal (#20)



2CH Optical
2 Power (#16)
2 Signal (#20)



4CH Optical
2 Power (#16)